

CLR-SA-RJ45GP

Surge Protection Product for RJ45 Gigabit ethernet lines with POE support

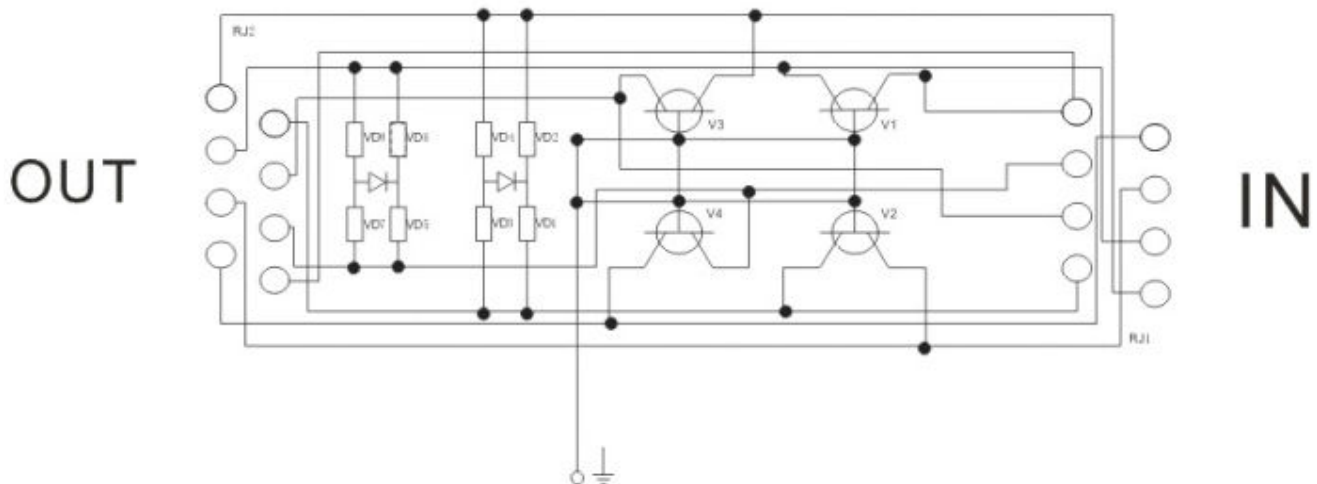


Overview

CLR-SA-RJ45GP is a gigabit ethernet POE surge protector with a small, thin and nice appearance. It is installed in the midst of ethernet cable between two network devices. At the same time a ground connection is made to conduct the excessive voltage, caused by lightning, etc. to the ground. There is no need for an external power source.

CLR-SA-RJ45GP is a good choice for protecting expensive network devices and critical communication data.

Circuit Diagram



Specifications

Nominal voltage Un(V) DC	- 48V
Nominal discharge current (In) (8/20 μ S)	- 10kA
Max. discharge current (In) (8/20 μ S)	- 20kA
Voltage protection level (UP)	- line-line 60V - line-PE 250V
Max transfer speed	- 1000Mbps
Frequency	- 100MHz
Response time (ns)	- 1ns
Connector Type	- RJ45
Pinning	- Data pin: 1,2 : 3,6 - Power pin: 4,5: 7,8
Dimensions	- 93 x 23 x 25 mm