

DVP Digital Video Surveillance Management Platform



Introduction:

Fibrage-DVP offers the most optimized total solution for network video surveillance and enriches your video value.

Based on popular client/server frame, Fibrage DVP can pass through any kinds of IP network (Unicast/Multicast) to transmit and manage digital video and audio, and provides network video surveillance management system on the basis of Browser/Server frame.

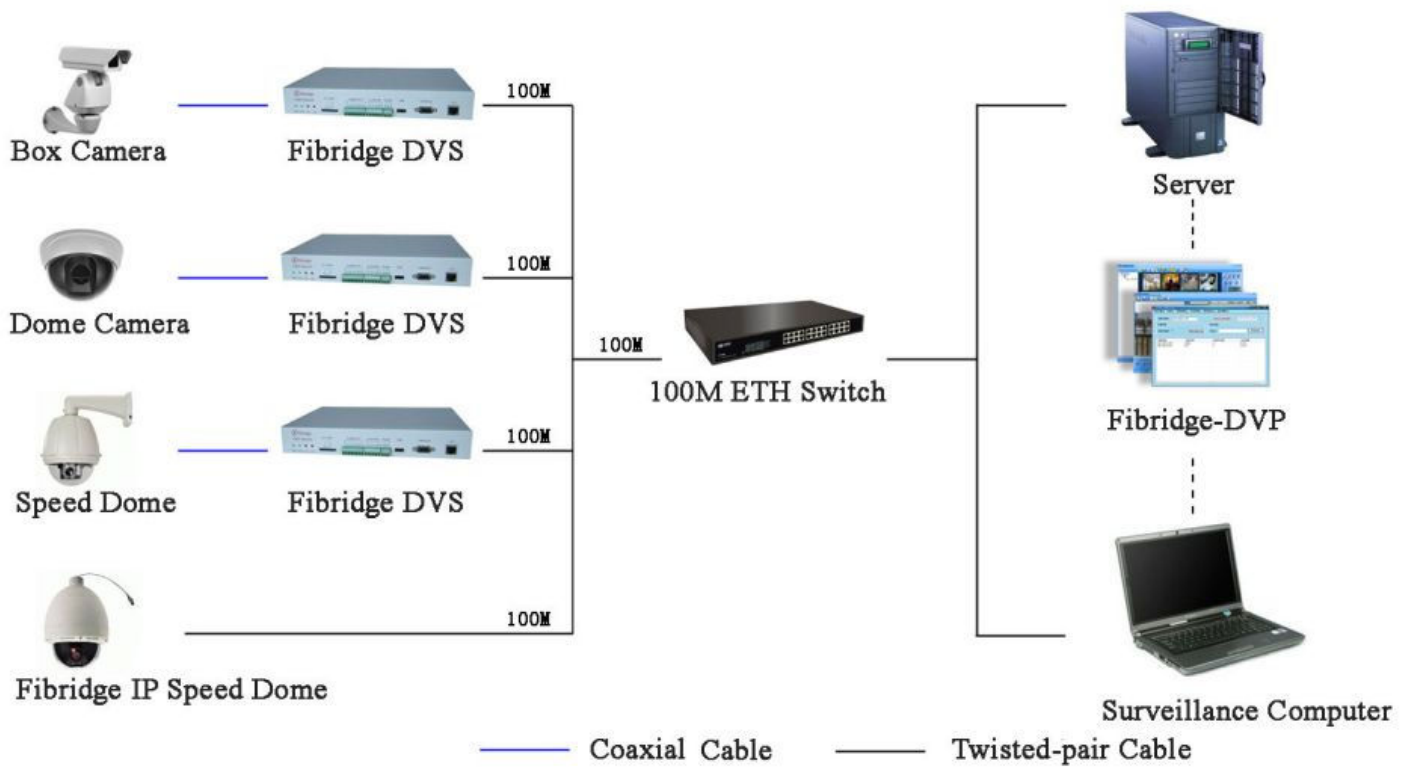
Fibrage-DVP digital video surveillance management platform is compatible with popularly used DVR. Using Fibrage DVP, user can browse, control, configure and manage video/audio of the DVR quickly and conveniently.

1, Features and benefits:

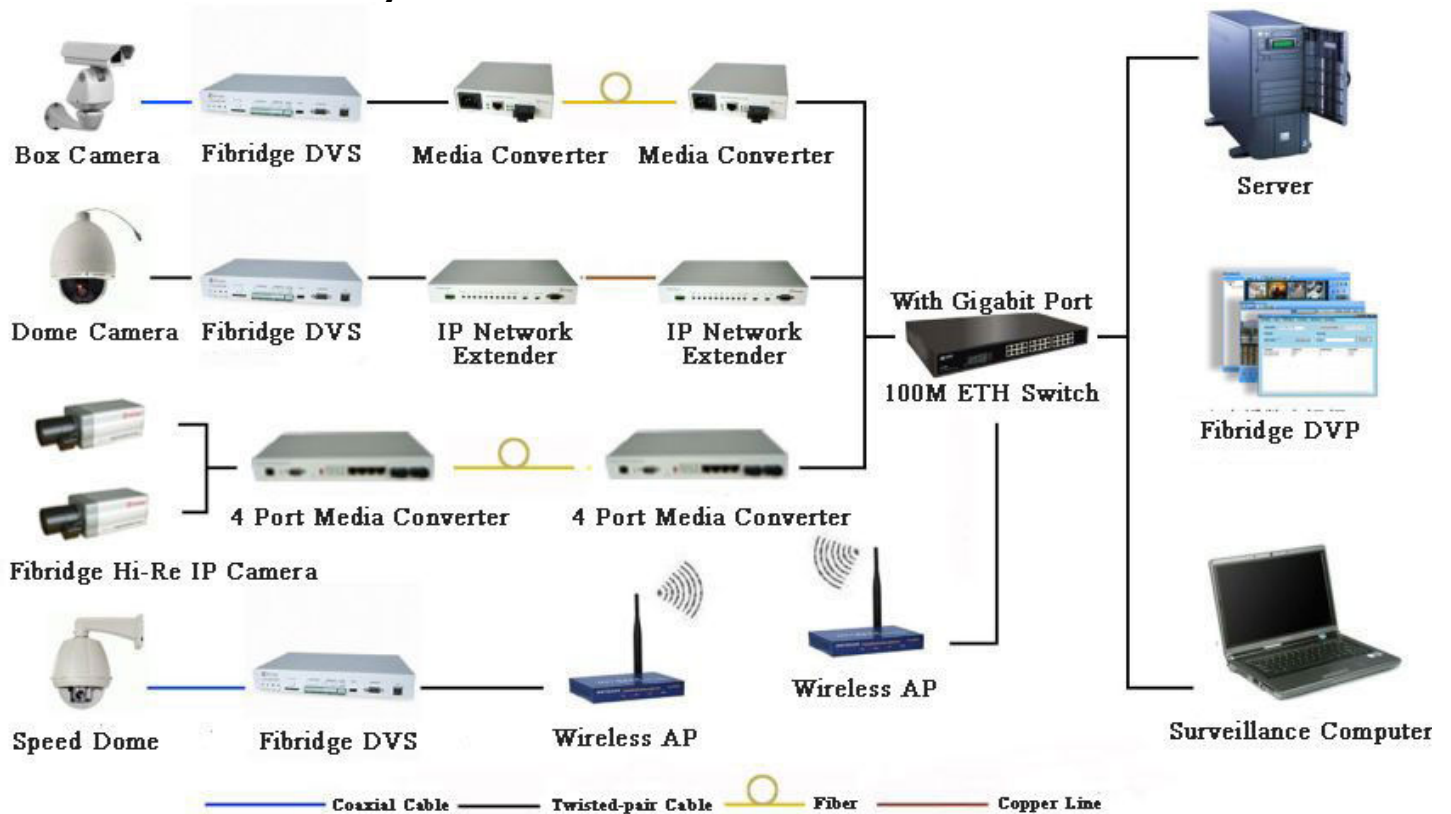
- * Easily install and simply use
- * Easily enlarge capacity and cost effective
- * Flexible and easy storage, redundant backup available
- * Support synchronous visit to multi-channel video without adding bandwidth cost
- * Virtual matrix, entire network popedom attemp
- * Transmit storage, real-time surveillance, and synchronous backup
- * One platform with entire network maintenance

2, Fibrage DVP typical application topology:

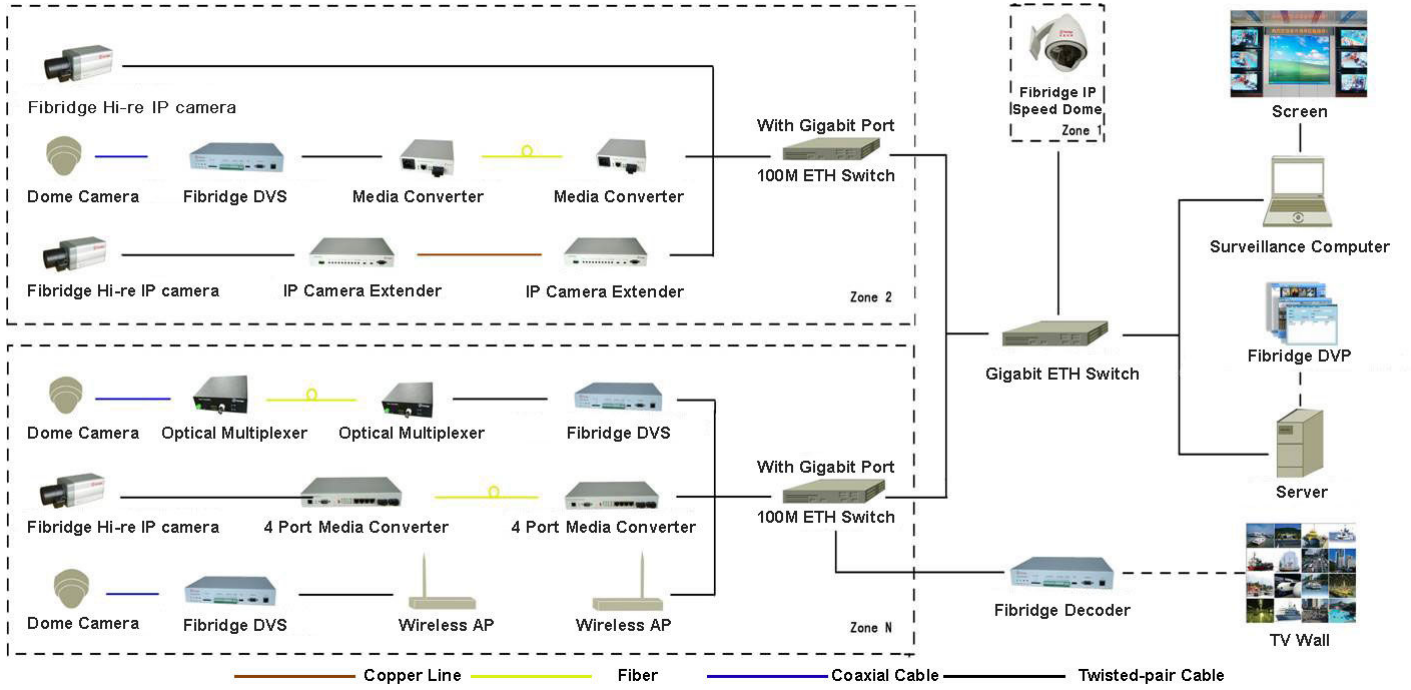
a- Small Surveillance System



b-Middle Surveillance System



c- Large Surveillance System



Order Information:

DVP Video Management Platform
DVP V3.0 Local Area Network M1

Standard Version,0-50 point

Standard Version,50-252 point

Standard Version,252-1000 point

Standard Version, above 1000 point

DVP V3.0 M2

Public Network, LAN, support cross segments

DVP V3.0 M3

Streaming Media Server software,support store-and-forward

DVP V3.0 M4

Support synchronous visit

DVP V3.0 M5

Virtual Matrix,Matrix rules,surveillance polling

DVP V3.0 M6

Local play network storage 264 file

DVP V3.0 M7

Private encryption module,support transmission and storage

DVP V3.0 M8

OEM

DVP V3.0 M9

Integrate existing DVR system

Address : Perpa Ticaret Merkezi, A Blok No.516 Şişli/İstanbul | Tel : +90 212 3204030 | Fax : +90212 3200255 | e-mail : info@telkolink.com

www.telkolink.com

© 2009 telcolink Inc. All rights reserved. Information in this document is subject to change without notice. All company names, logos, and product designs that are trademarks or registered trademarks are the property of their respective owners. 617-000175 Rev. C

Haberleşme sistemlerinde **yüksek performansı** yakalayın

