

## F3 Series Mode Converter

### Overview

F3 series Mode Converter is used to make exchange among 850nm, 1310nm multimode optical port and 1310nm, 1550nm single mode optical port, supporting 155Mbps -1250Mbps Optical port. The device is independent of protocol of the optical port.



F3 series module can be installed in our 16 slots chassis.

### Features

- ◆ Used for connecting 155Mbps Optical port, independent of protocol
- ◆ Multi-mode transfer distance is up to 2KM
- ◆ Single mode maximum distance up to 100Km
- ◆ Working state is very clear with LED
- ◆ Internal power supply, including AC220V or DC-48V
- ◆ The power consumption is less than 3W

### Specification

#### 1、Optical port

- 1) Connectors: SC/ST/FC single mode or multimode
- 2) Single mode optical wavelength:1310nm and 1550nm
- 3) Multimode optical wavelength: 850nm and 1310nm
- 4) Compatible with the multimode fiber of 50/125, 62.5/125, 100/140  $\mu$  m  
And single mode fiber of 8.3/125, 8.7/125, 9/125, 10/125  $\mu$  m

#### 2、General

Work Temperature: 0~50°C

Humidity: 5%~90%(non-condensing)

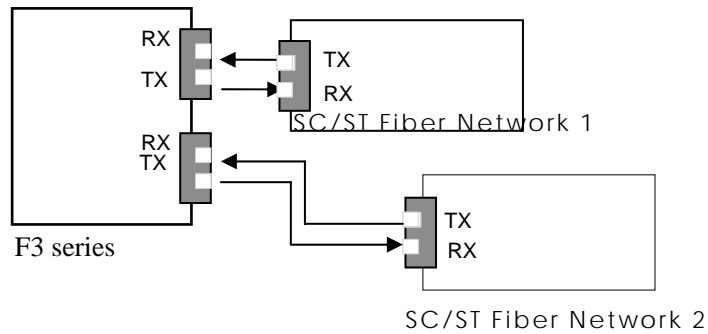
Dimension: 170mm(width)×134mm(deep)×40mm(high)

**AC Power: 160VAC~260VAC**

### 3、LED Description:

LED	Color	Function	Status	Description
PWR1	Green	1 Module power	ON	Power supply OK
PWR2	Green	2 Module power	ON	Power supply OK
FX-LINK1	Green	Optical port 1 connecting indication	ON	Optical port 1 links OK
FX-LINK2	Green	Fiber port 2 connecting indication	ON	Optical port links OK

### Installation:



### Order Information

F3-MX12CCA

Multimode 850 to Multimode 1310 mode converter, SC to SC, standalone, AC220 power

F3-BX1204CCA

Multimode 850 to Single mode 1310 mode converter, 40Km, SC to SC, standalone, AC220 power

F3-SX2304CCA

Single mode 1310 to single mode 1550 mode converter, 40Km, SC to SC, standalone, AC220 power

X=7 means 155Mbps optical port

X=8 means 622Mbps optical port

X=9 means 1250Mbps optical port