

# 1-Channel Bi-directional Digitally Encoded Video Optical Multiplexer

## Overview

The Product provides customer with the most cost-effective solution for transmission of 1-channel Bi-directional uncompressed digital video, 1-channel Bi-directional stereo audio, 2-channel Bi-directional RS232/RS422/RS485 data, 1-channel 10/100Mbps line-speed Ethernet, 1-channel E1, two-channel Bi-directional Contact Closure ports and 1-channel 64K PCM phone over one single fiber cable. It is an easy installation and adjustment free device while providing high quality, real-time video. The product may be also maintained by Fi-View Network Management System. The product is widely used in the field of CCTV, video surveillance, national defense, ITS and etc.



## Typical Order Information

P/N	Description
F7-1VTR	1-ch bi-dir Video
F7-1VTR-1ATR-2DTR	1-ch bi-dir Video with 1-ch bi-dir stereo Audio and 2-ch bi-dir Data
F7-1VTR -1ATR-2DTR-100M-E1	1-ch bi-dir Video with 1-ch bi-dir stereo Audio, 2-ch bi-dir Data, 1-ch 10/ 100Mbps Ethernet and 1-ch E1
F7-1VTR -1ATR-2DTR-2CC-100M-E1-1P	1-ch bi-dir Video with 1-ch bi-dir stereo Audio, 2-ch bi-dir Data, 1-ch 10/100Mbps Ethernet, 1-ch E1, 2-ch Contact Closet and 1-ch Phone

Every kind of service port can be optional, please contact with Fibrbridge to get more details

## Specification

**Power**  
100-240VAC, 50/60Hz, standalone device  
0.2A@12VDC, rack card

### Indicators

Power, Link Status, Video Signal, data

### Video

Channel: 1 Bi-dir  
Format: PAL/NTSC/SECAM  
Video Signal: 1Vp-p, 75 Ω

Digitization: 8/10bits

Bandwidth: 8MHz

DG: <1%

DP: <1°

SNR: >65dB

Connectors: BNC

### Audio

Channel: 1 Bi-dir stereo audio  
Audio Input: unbalanced, 600Ohms  
Digitization: 16bit@48k

Bandwidth: 10Hz ~20KHz

SNR: >75dB

Connector: RCA

### Data

Channel: 2, Bi-dir

Data Rate: 0~48Kbps/channel

Selectable RS232/RS422/RS485

Connector: Terminal plug with screw clamps

### Ethernet

10/100Mbps line speed

MDI/MDI-X auto detected

Half/Full Duplex auto-negotiate

Connector: RJ45

### E1

Compatible with G.703

Unframed Mode

75ohm Impedance

Connector: BNC

### Contact Closure

Input/Output Channels: 2

Contacts: 220VAC, 1.0amp, 220watts

Type: Normally open

Response Time: 0.5 msec maximum

Connector: Terminal plug with screw clamps

### Phone Port

Available for daily telephone communication

64Kbps PCM Code

When picking up the local side, the remote side rings. One side hung up, the other side sounds busy.

Connectors: RJ-11

### Physical Dimensions

132mmX122mmX36mm, Standalone Box

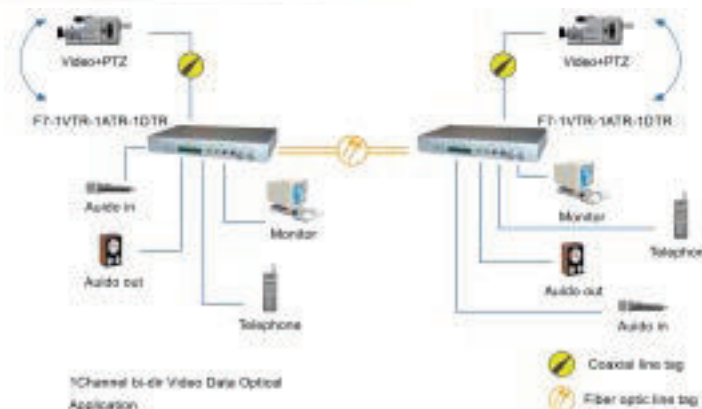
### Environment

Operating: -40°C ~+70°C

Storage: -40°C ~+85°C

Humidity: 0-95% Non-Condensing

## Application



## 4-Channel Bi-directional Video, Audio, Data, E1 and Ethernet Optical Multiplexer

### Overview

The Product provides customer with the most cost-effective solution for transmission of 4-channel bi-directional uncompressed digital video, 4-channel Video, 2-channel Bi-directional stereo audio, 2-channel Bi-directional RS232/RS422/RS485 data, 1-channel 10/100Mbps line-speed Ethernet and 4-channel E1 over one single fiber cable. It is an easy installation and adjustment free device while providing high quality, real-time video. The product may be also maintained by Fi-View Network Management System. The product is widely used in the field of CCTV, video surveillance, national defense, ITS and etc.



### Typical Order Information

P/N	Description
F7-4VTR-4VT	4-ch Video Transmitter
F7-4VTR-4VT-4ATR-4DTR	4-ch bi-dir Video with 4-ch bi-dir stereo Audio and 4-ch bi-dir Data
F7-4VTR-4VT-4ATR-4DTR-100M-4E1	4-ch bi-dir Video with 4-ch bi-dir stereo Audio, 4-ch bi-dir Data, 1-ch 10/ 100Mbps Ethernet and 4-ch E1

Every kind of service port can be optional, please contact with Fibrbridge to get more details

### Specification

#### Power

100-240VAC, 50/60Hz, standalone device  
0.2A@12VDC, rack card

#### Indicators

Power, Link Status, Video Signal, data

#### Video

Channel: 4TR+4T  
Format: PAL/NTSC/SECAM  
Video Signal: 1Vp-p, 75 Ω  
Digitization: 8/10bits  
Bandwidth: 8MHz  
DG: <1%  
DP: <1°  
SNR: >65dB  
Connectors: BNC

#### Audio

Channel: 4-ch Bi-dir stereo audio  
Audio Input: unbalanced, 600Ohms  
Digitization: 16bit@48k  
Bandwidth: 10Hz ~20KHz  
SNR: >75dB  
Connector: RJ45

#### Data

Channel: 4, Bi-dir  
Data Rate: 0~48Kbps/channel  
Selectable RS232/RS422/RS485  
Connector: RJ45

#### Ethernet

10/100Mbps line speed  
MDI/MDI-X auto detected

Half/Full Duplex auto-negotiate

Connector: RJ45

E1

4-ch E1 ports

Compatible with G.703

Unframed Mode

75ohm Impedance

Connector: BNC

Physical Dimensions

435mmX280mmX44mm, Standalone Box

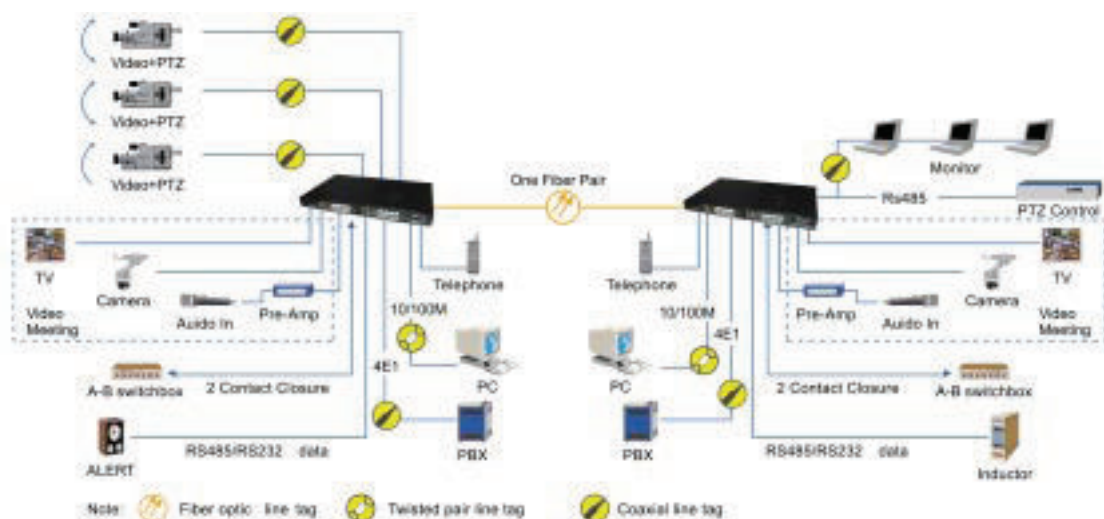
Environment

Operating: -40°C ~+70°C

Storage: -40°C ~+85°C

Humidity: 0-95% Non-Condensing

### Application



# 2-Channel Digitally Encoded Video Optical Multiplexer

## Overview

The Product provides customer with the most cost-effective solution for transmission of 2-channel uncompressed digital video, 1-channel Bi-directional stereo audio, 2-channel Bi-directional RS232/RS422/RS485 data, 1-channel 10/100Mbps line-speed Ethernet, 1-channel E1, two-channel bi-directional Contact Closure ports and 1-channel 64K PCM phone over one single fiber cable. It is an easy installation and adjustment free device while providing high quality, real-time video. The product may be also maintained by Fi-View Network Management System. The product is widely used in the field of CCTV, video surveillance, national defense, ITS and etc.



## Typical Order Information

P/N	Description
F7-2VT	2-ch Video Transmitter
F7-2VT-1ATR-2DTR	2-ch bi-dir Video with 1-ch bi-dir stereo Audio and 2-ch bi-dir Data
F7-2VT-1ATR-2DTR-100M-E1	2-ch bi-dir Video with 1-ch bi-dir stereo Audio, 2-ch bi-dir Data, 1-ch 10/100Mbps Ethernet and 1-ch E1
F7-2VT-1ATR-2DTR-2CC-100M-E1-1P	2-ch bi-dir Video with 1-ch bi-dir stereo Audio, 2-ch bi-dir Data, 1-ch 10/100Mbps Ethernet, 1-ch E1, 2-ch Contact Closet and 1-ch Phone

Every kind of service port can be optional, please contact with Fibrbridge to get more details

## Specification

**Power**  
100-240VAC, 50/60Hz, standalone device  
0.2A@12VDC, rack card

**Indicators**  
Power, Link Status, Video Signal, data

**Video**  
Channel: 2  
Format: PAL/NTSC/SECAM  
Video Signal: 1Vp-p, 75 Ω  
Digitization: 8/10bits  
Bandwidth: 8MHz  
DG: <1%  
DP: <1°  
SNR: >65dB  
Connectors: BNC

**Audio**  
Channel: 1 Bi-dir stereo audio  
Audio Input: unbalanced, 600Ohms  
Digitization: 16bit@48k

Bandwidth: 10Hz ~20KHz  
SNR: >75dB  
Connector: RCA or RJ45

**Data**  
Channel: 2, Bi-dir  
Data Rate: 0~48Kbps/channel  
Selectable RS232/RS422/RS485  
Connector: Terminal plug with screw clamps or RJ45

**Ethernet**  
10/100Mbps line speed  
MDI/MDI-X auto detected  
Half/Full Duplex auto-negotiate  
Connector: RJ45

**E1**  
Compatible with G.703  
Unframed Mode  
75ohm Impedance  
Connector: BNC

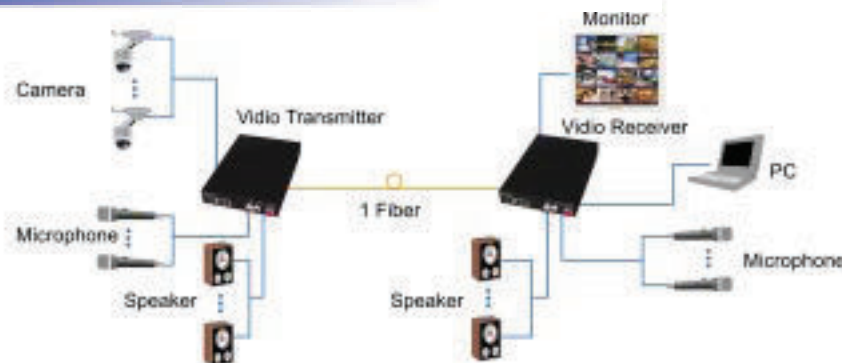
**Contact Closure**  
Input/Output Channels: 2  
Contacts: 220VAC, 1.0amp, 220watts  
Type: Normally open.  
Response Time: 0.5 msec maximum  
Connector: Terminal plug with screw clamps

**Phone Port**  
Available for daily telephone communication  
64Kbps PCM Code  
When picking up the local side, the remote side rings. One side hung up, the other side sounds busy  
Connectors: RJ-11

**Physical Dimensions**  
132mmX122mmX36mm, Standalone Box

**Environment**  
Operating: -40°C ~+70°C  
Storage: -40°C ~+85°C  
Humidity: 0-95% Non-Condensing

## Application



## 4-Channel Digitally Encoded Video Optical Multiplexer

### Overview

The Product provides customer with the most cost-effective solution for transmission of 4-channel uncompressed digital video, 2-channel Bi-directional stereo audio, 2-channel Bi-directional RS232/RS422/RS485 data, 1-channel 10/100Mbps line-speed Ethernet and 4-channel E1 over one single fiber cable. It is an easy installation and adjustment free device while providing high quality, real-time video. The product may be also maintained by Fi-View Network Management System. The product is widely used in the field of CCTV, video surveillance, national defense, ITS and etc.



### Typical Order Information

P/N	Description
F7-4VT	4-ch Video Transmitter
F7-4VT-2ATR-2DTR	4-ch bi-dir Video with 2-ch bi-dir stereo Audio and 2-ch bi-dir Data
F7-4VT -2ATR-2DTR-100M-4E1	4-ch bi-dir Video with 2-ch bi-dir stereo Audio, 2-ch bi-dir Data, 1-ch 10/100Mbps Ethernet and 4-ch E1

Every kind of service port can be optional, please contact Fibrbridge to get more details

### Specification

#### Power

100-240VAC, 50/60Hz, standalone device  
0.2A@12VDC, rack card

#### Indicators

Power, Link Status, Video Signal, data

#### Video

Channel: 4  
Format: PAL/NTSC/SECAM

Video Signal: 1Vp-p, 75 Ω

Digitization: 8/10bits

Bandwidth: 8MHz

DG: <1%

DP: <1°

SNR: >65dB

Connectors: BNC

#### Audio

Channel: 2-ch Bi-dir stereo audio  
Audio Input: unbalanced, 600Ohms  
Digitization: 16bit@48k  
Bandwidth: 10Hz ~20KHz  
SNR: >75dB  
Connector: RJ45

#### Data

Channel: 2, Bi-dir  
Data Rate: 0~48Kbps/channel  
Selectable RS232/RS422/RS485  
Connector: RJ45

#### Ethernet

10/100Mbps line speed  
MDI/MDI-X auto detected

Half/Full Duplex auto-negotiate

Connector: RJ45

#### E1

4-ch E1 ports

Compatible with G.703

Unframed Mode

75ohm Impedance

Connector: BNC

#### Physical Dimensions

162mmX237mmX36mm, Standalone Box

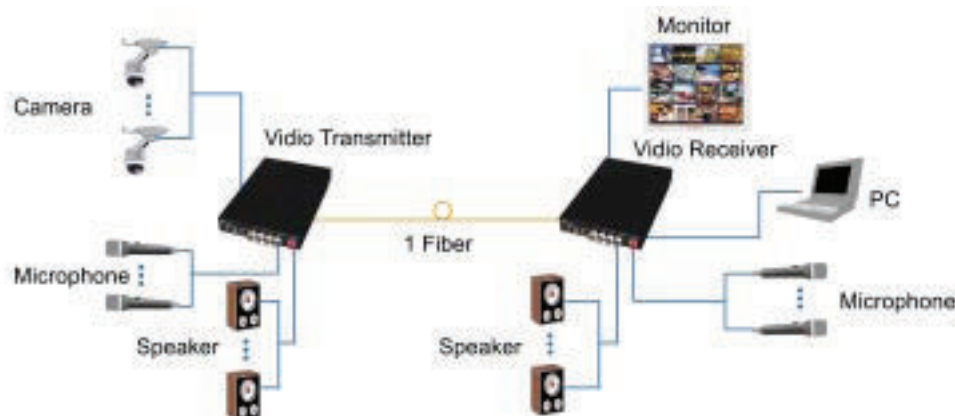
#### Environment

Operating: -40°C ~+70°C

Storage: -40°C ~+85°C

Humidity: 0-95% Non-Condensing

### Application



## 8-Channel Digitally Encoded Video Optical Multiplexer

### Overview

The Product provides customer with the most cost-effective solution for transmission of 8-channel uncompressed digital video, 4-channel Bi-directional stereo audio, 4-channel Bi-directional RS232/RS422/RS485 data, 1-channel 10/100Mbps line-speed Ethernet and 4-channel E1 over one single fiber cable. It is an easy installation and adjustment free device while providing high quality, real-time video. The product may be also maintained by Fi-View Network Management System. The product is widely used in the field of CCTV, video surveillance, national defense, ITS and etc.



### Typical Order Information

P/N	Description
F7-8VT	8-ch Video Transmitter
F7-8VT-4ATR-4DTR	8-ch bi-dir Video with 4-ch bi-dir stereo Audio and 4-ch bi-dir Data
F7-8VT -4ATR-4DTR-100M-4E1	4-ch bi-dir Video with 4-ch bi-dir stereo Audio, 4-ch bi-dir Data, 1-ch 10/100Mbps Ethernet and 4-ch E1

Every kind of service port can be optional, please contact Fibrbridge to get more details

### Specification

#### Power

100-240VAC, 50/60Hz, standalone device  
0.2A@12VDC, rack card

#### Indicators

Power, Link Status, Video Signal, data

#### Video

Channel: 4  
Format: PAL/NTSC/SECAM  
Video Signal: 1Vp-p, 75 Ω  
Digitization: 8/10bits  
Bandwidth: 8MHz  
DG: <1%  
DP: <1°  
SNR: >65dB  
Connectors: BNC

#### Audio

Channel: 4-ch Bi-dir stereo audio  
Audio Input: unbalanced, 600Ohms  
Digitization: 16bit@48k  
Bandwidth: 10Hz ~20KHz  
SNR: >75dB  
Connector: RJ45  
**Data**  
Channel: 4, Bi-dir  
Data Rate: 0~48Kbps/channel  
Selectable RS232/RS422/RS485  
Connector: RJ45  
**Ethernet**  
10/100Mbps line speed

MDI/MDI-X auto detected;  
Half/Full Duplex auto-negotiate  
Connector: RJ45

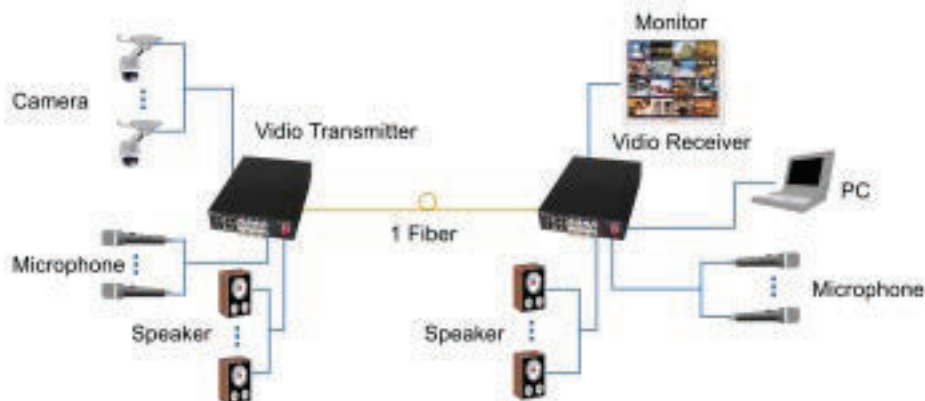
#### E1

4-ch E1 ports  
Compatible with G.703  
Unframed Mode  
75ohm Impedance  
Connector: BNC  
**Physical Dimensions**  
180mmX237mmX55mm, Standalone Box

#### Environment

Operating: -40°C ~+70°C  
Storage: -40°C ~+85°C  
Humidity: 0-95% Non-Condensing

### Application



# 16-Channel Digitally Encoded Video Optical Multiplexer

## Overview

The Product provides customer with the most cost-effective solution for transmission of 16-channel uncompressed digital video, 8-channel Bi-directional stereo audio and 8-channel Bi-directional RS232/RS422/RS485 data over one single fiber cable. It is an easy installation and adjustment free device while providing high quality, real-time video. The product may be also maintained by Fi-View Network Management System. The product is widely used in the field of CCTV, video surveillance, national defense, ITS and etc.



## Typical Order Information

P/N	Description
F7-16VT	16-ch Video Transmitter
F7-16VT-8ATR	16-ch bi-dir Video with 8-ch bi-dir stereo Audio
F7-16VT-8ATR-8DTR	16-ch bi-dir Video with 8-ch bi-dir stereo Audio and 8-ch bi-dir Data

Every kind of service port can be optional, please contact Fibrbridge to get more details

## Specification

### Power

100-240VAC, 50/60Hz, standalone device  
0.2A@12VDC, rack card

### Indicators

Power, Link Status, Video Signal, data

### Video

Channel: 16  
Format: PAL/NTSC/SECAM  
Video Signal: 1Vp-p, 75 Ω  
Digitization: 8/10bits  
Bandwidth: 8MHz

### DG: <1%

DP: <1°  
SNR: >65dB  
Connectors: BNC

### Audio

Channel: 8-ch Bi-dir stereo audio  
Audio Input: unbalanced, 600Ohms  
Digitization: 16bit@48k  
Bandwidth: 10Hz ~20KHz  
SNR: >75dB  
Connector: RJ45

### Data

Channel: 8, Bi-dir  
Data Rate: 0~48Kbps/channel  
Selectable RS232/RS422/RS485  
Connector: RJ45

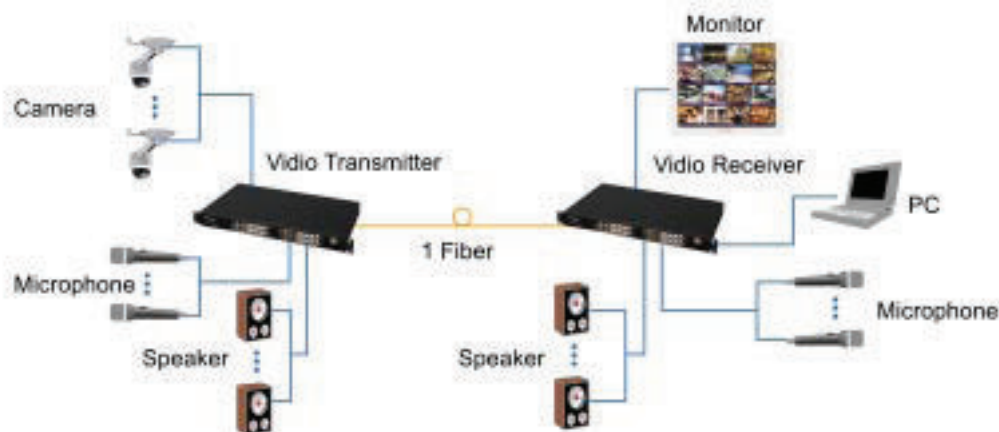
### Physical Dimensions

435mmX237mmX44mm, Standalone Box

### Environment

Operating: -40°C ~+70°C  
Storage: -40°C ~+85°C  
Humidity: 0-95% Non-Condensing

## Application



## 24-64 Channels Digitally Encoded Video Optical Multiplexer

### Overview

The Product provides customer with the most cost-effective solution for transmission of 24-64 channels uncompressed digital video, 32-channel Bi-directional stereo audio, 32-channel Bi-directional RS232/RS422/RS485 data, 1-channel 10/100Mbps line-speed Ethernet and 4-channel E1 over one single fiber cable. It is an easy installation and adjustment free device while providing high quality, real-time video. The product may be also maintained by Fi-View Network Management System. The product is widely used in the field of CCTV, video surveillance, national defense, ITS and etc.



### Typical Order Information

P/N	Description
F7-24VT/R-12ATR-12DTR	24-ch Video with 12-ch bi-dir stereo Audio and 12-ch bi-dir Data
F7-32VT/R-16ATR-16DTR	32-ch Video with 16-ch bi-dir stereo Audio and 16-ch bi-dir Data
F7-40VT/R-20ATR-20DTR	40-ch Video with 20-ch bi-dir stereo Audio and 20-ch bi-dir Data
F7-48VT/R-24ATR-24DTR	48-ch Video with 24-ch bi-dir stereo Audio and 24-ch bi-dir Data
F7-56VT/R-28ATR-28DTR	56-ch Video with 28-ch bi-dir stereo Audio and 28-ch bi-dir Data
F7-64VT/R-32ATR-32DTR	64-ch Video with 32-ch bi-dir stereo Audio and 32-ch bi-dir Data

Every kind of service port can be optional, please contact Fibrbridge to get more details

### Specification

#### Power

100-240VAC, 50/60Hz, standalone device  
0.2A@12VDC, rack card

#### Indicators

Power, Link Status, Video Signal, data

#### Video

Channel: 16  
Format: PAL/NTSC/SECAM  
Video Signal: 1Vp-p, 75 Ω  
Digitization: 8/10bits  
Bandwidth: 8MHz  
DG: <1%  
DP: <1°  
SNR: >65dB  
Connectors: BNC

#### Audio

Channel: 8-ch Bi-dir stereo audio  
Audio Input: unbalanced, 600Ohms  
Digitization: 16bit@48k  
Bandwidth: 10Hz ~20KHz  
SNR: >75dB  
Connector: RJ45

#### Data

Channel: 8, Bi-dir  
Data Rate: 0~48Kbps/channel  
Selectable RS232/RS422/RS485  
Connector: RJ45

#### Ethernet

10/100Mbps line speed  
MDI/MDI-X auto detected

Half/Full Duplex auto-negotiate

Connector: RJ45

#### E1

4-ch E1 ports  
Compatible with G.703  
Unframed Mode  
75ohm Impedance  
Connector: BNC

#### Physical Dimensions

435mmX237mmX44mm, Standalone Box

#### Environment

Operating: -40°C ~+70°C  
Storage: -40°C ~+85°C  
Humidity: 0-95% Non-Condensing

### Application

