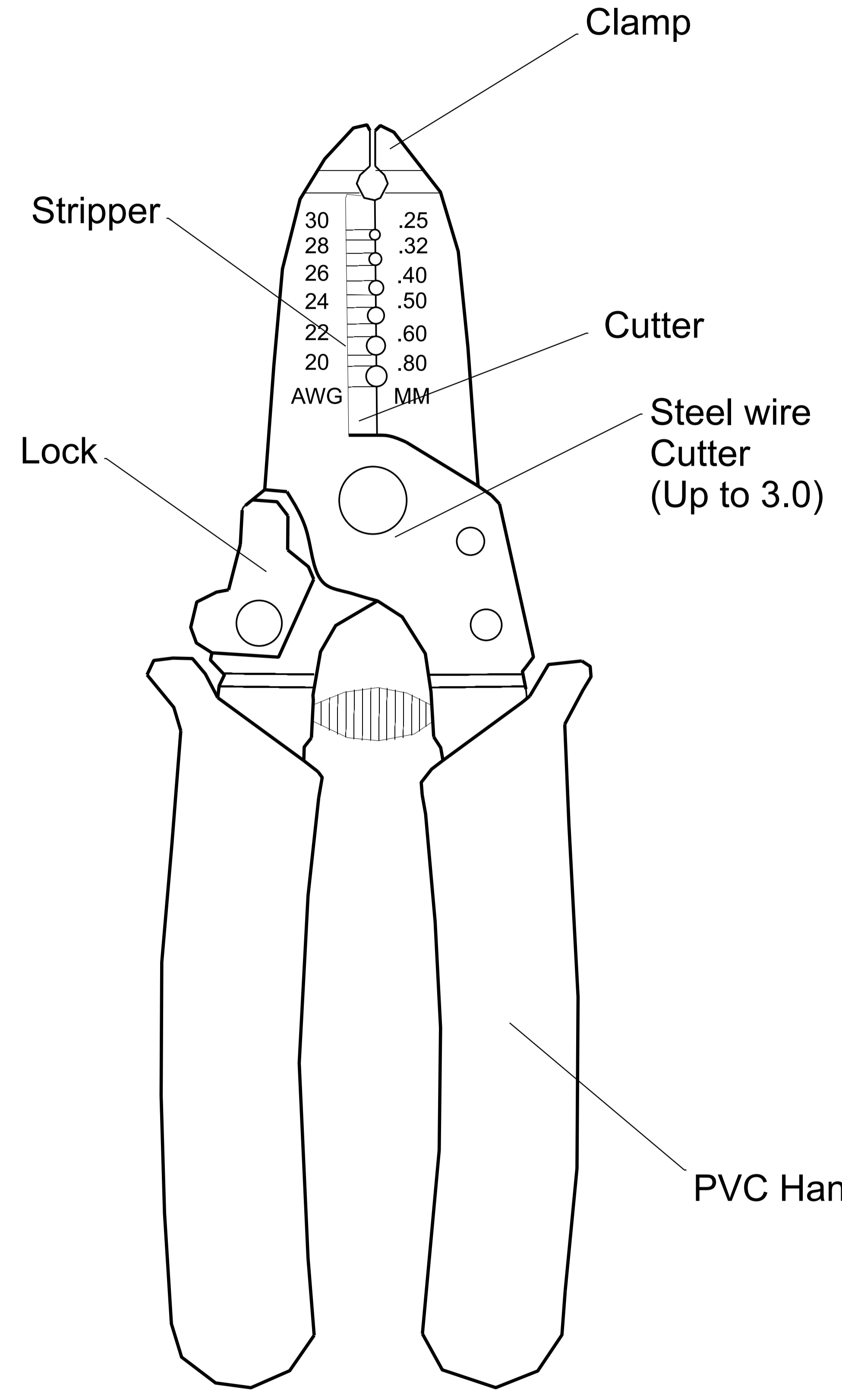
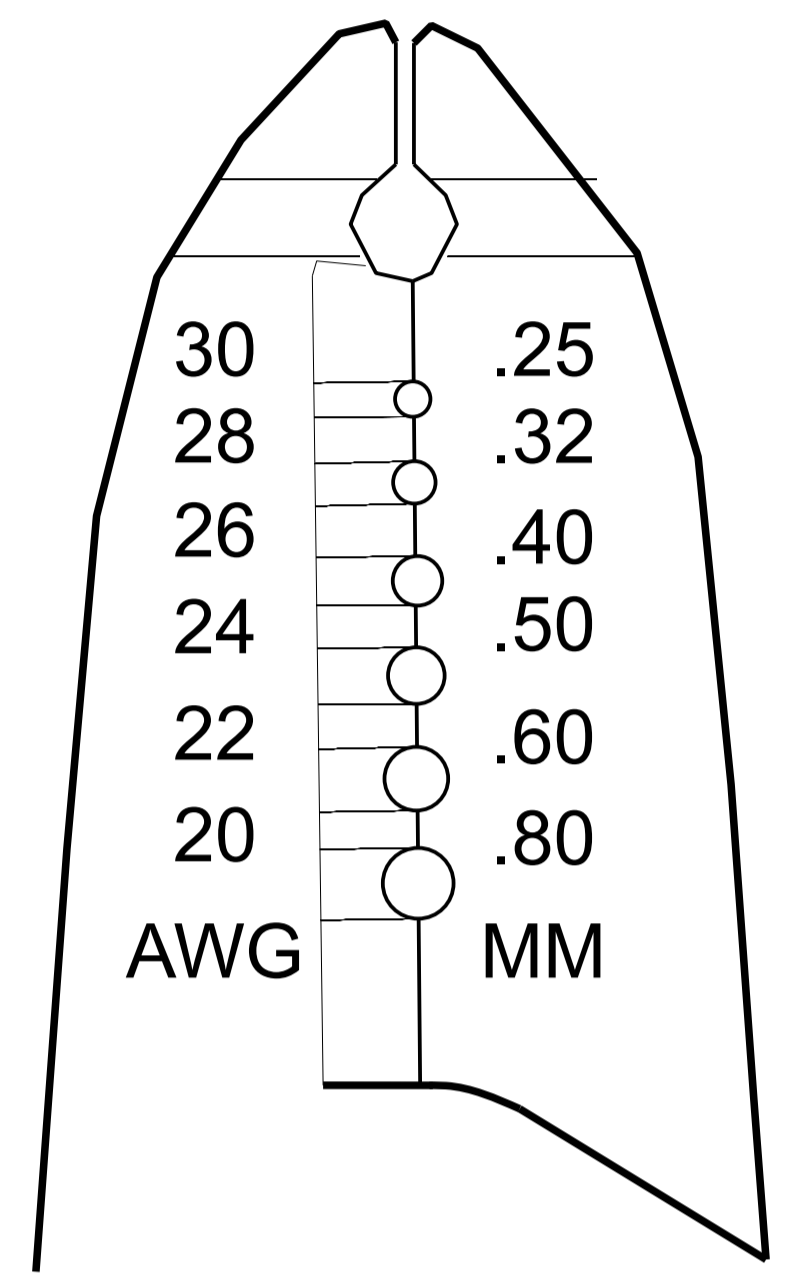


39800.1 DIE



Specification:  
 \*Length:6.5"(165mm±3)  
 \*Weight:140g  
 \*Material:  
 Frame-made of  
 middle carbon steel  
 \*Hardness:Frame  
 \*Finished:Black oxide finished

| APPLICABLE AWG SIZES |        | mmΦ  |
|----------------------|--------|------|
| STRANDED             | SINGLE |      |
| —                    | 30     | 0.25 |
| 30                   | 28     | 0.32 |
| 28                   | 26     | 0.4  |
| 26                   | 24     | 0.5  |
| 24                   | 22     | 0.6  |
| 22                   | 20     | 0.8  |
|                      |        |      |

