

Video Encoder/Decoder

Categories:

**IP Video
Surveillance**



Introduction:

Overview

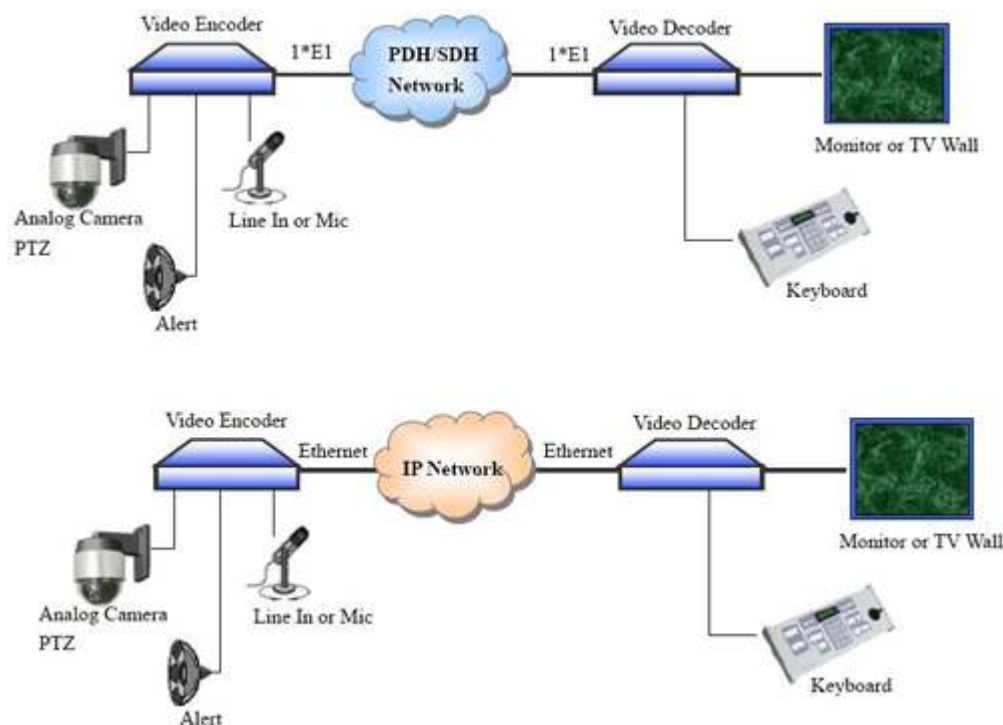
FBVAD2000 Series Video Encoder/Decoder are the products using latest technology which can be integrated easily into your existing analog CCTV (closed circuit television) system, helping users migrate analog security system into an IP-based video solution.

Video Encoder can encode the analog video, audio and data signals, and then sends digital motive images over an IP or E1 networks. At the other end, the Decoder decode the digital motive images to analog video, audio and data signals, and transmit these signals to TV Wall or other kinds of monitor system.

Features

- Using state-of-the-art H.264 encoding technology
- supports Full D1 resolution or 4* CIF resolution
- Max 30 frames/sec @ D1 resolution
- Much better video quality under low bit rate network
- Embedded Streaming Video and Web Servers
- Digital Video Motion detection and event triggered alarm processing
- Dual code rates optional
- Using E1 or Ethernet to transmit the compressed video
- Using web-based interface to monitor or configure the setting

Typical Application

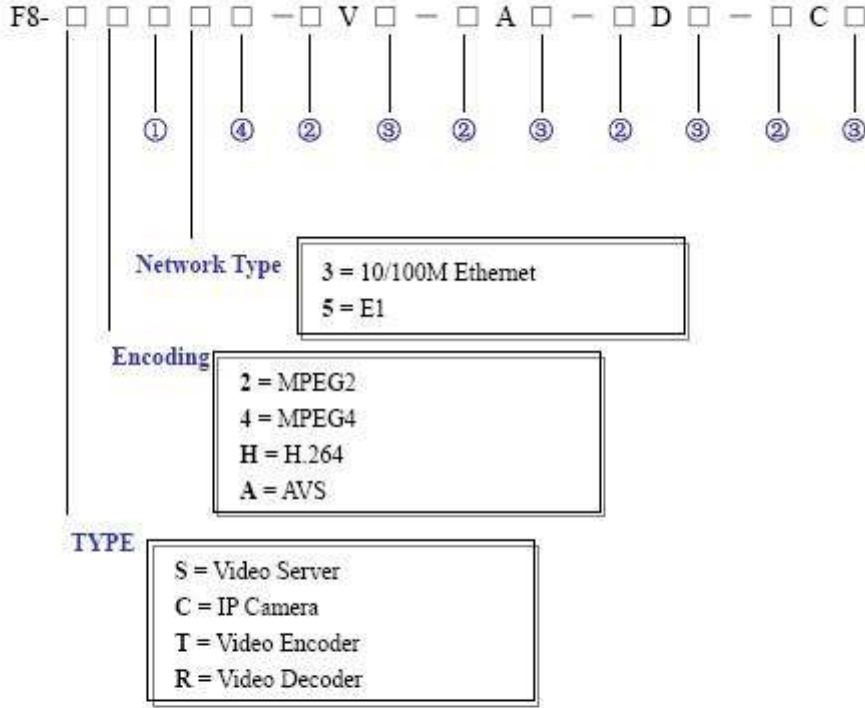


Order Information

Model:

FBVAD2000 Video Server, Video Encoder/Decoder, IP Camera

P/N (Part Number):



- ① -- Number of transmit port (Ethernet or E1)
- ② -- Number of user port
V-Video; A-Audio; D-Data; C-Contact Closure
- ③ -- Direction of user port
T-Transmit; R-Receive; TR-Transmit & Receive bi-directional
- ④-- Type of Power supply
A-AC220V; D-DC-48V

Address : Perpa Ticaret Merkezi, A Blok No.516 Şişli/İstanbul | Tel : +90 212 3204030 | Fax : +90212 3200255 | e-mail : info@telkolink.com

www.telkolink.com

© 2009 telkolink Inc. All rights reserved. Information in this document is subject to change without notice. All company names, logos, and product designs that are trademarks or registered trademarks are the property of their respective owners. 617-000175 Rev. C

Haberleşme sistemlerinde **yüksek performansı** yakalayın

